

# NEUSPEED®

## P-FLO COLD AIR INTAKE UPGRADE FOR 1993-99.5 GOLF III / JETTA III VR6

PART # 65.10.63

### INSTALATION INSTRUCTIONS

**PARTS LIST:**  
1 – HEAT SHIELD  
1 – AIR FILTER  
1 – SHEET METAL SCREW

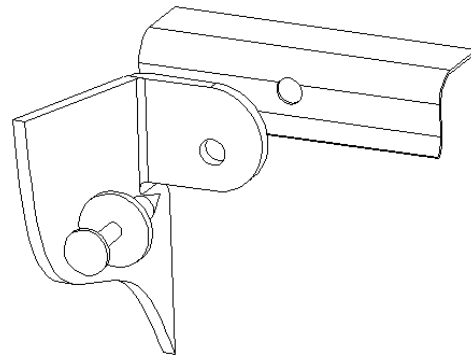
1 – PUSH FASTENER  
1 – HOOD SEAL

**TOOLS REQUIRED:**  
1 – FLAT SCREW DRIVER  
1 – DRILL MOTOR

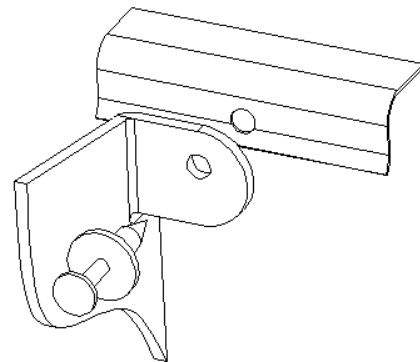
1 –  $\frac{3}{8}$ " WRENCH or SOCKET  
1 –  $\frac{1}{4}$ " DIAMETER DRILL



1. Remove filter from mass air sensor by loosening hose clamp and discard.



2. Insert lower front portion of the shield under the radiator support and slide bottom edge of shield into slot between AC condenser line and chassis seam. Rotate rear portion of shield down and into position, making sure any hoses and/or electrical lines are routed through cut outs.



3. Due to slight variations in vehicle geometry (see illustration above), it is necessary to drill the front mounting tab and radiator support to properly mount the heat shield. Pull the heat shield forward (towards the front of the car) until the mounting tab contacts the radiator support. Determine hole location on center of radiator support and transfer that location to front mounting tab. Remove heat shield and drill  $\varnothing \frac{1}{4}$ " hole through tab.



4. Install heat shield and using the front mounting tab hole as a guide, mark the radiator support. Remove the shield and drill a  $\varnothing$  1/4" hole through the radiator support.



5. Install the heat shield and secure in front with the supplied push fastener and at the side with the supplied sheet metal screw as shown.



6. Pass newly supplied filter through opening in heat shield. Rotate filter until end of filter is parallel with mass air sensor. Slide filter onto sensor and secure hose clamp. **NOTE: Check tightness of clamp in one week.**



7. Carefully double-check complete installation. **TEST DRIVE CAREFULLY.**